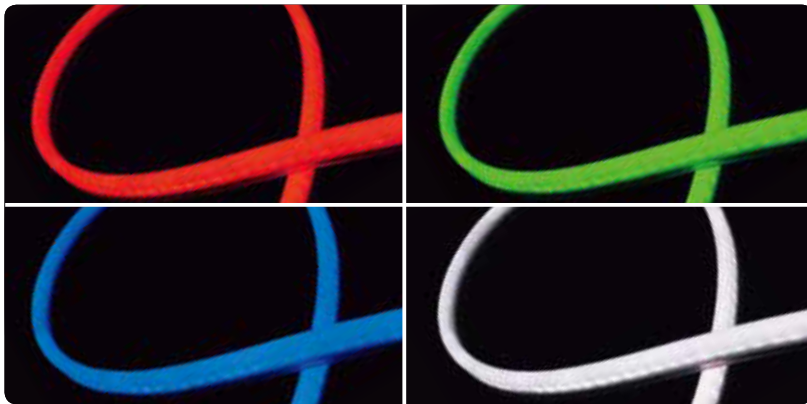


# TSUBAKI SEAMLESS LIGHT TYPE H RGB COLOR

RGB LEDs



## KEY FEATURES AND BENEFITS



- **Dotless LED strip with RGB color with Side-Bend**
- **RGB Full color type**
- **Covered by Patented Silicone Rubber Case**
- **LEDs sealed by Silicone**
- **Installation** : See ACCESSORIES for options on straight and flexible mounting channels.
- **Environment** : Exterior. IP 67 rated . Water and dust resistant. Proper drainage required. Products should not reside in standing water. Not for use as a submersible light source.
- **Power and Control** : DMX-512, DALI on/off, and dimming control options. Contact factory for more information.

## ORDERING

**PRODUCT No.**  
**GLD** - **F** **5026**  
1 2 3 4  
PRODUCT LED COLOR LEAD WIRES LENGTH

<b>1</b> <b>PRODUCT</b>	<b>3</b> <b>LEAD WIRES</b>
Tsubaki Seamless Light Type H	- Lead wires at one end. W Lead wires at both ends.
<b>2</b> <b>LED COLOR</b>	<b>4</b> <b>LENGTH</b>
F RGB	See length ordering guide.

## ATEX PRODUCT TECHNOLOGY

1. Seamless long flexible printed circuit board technology 
2. Patented Silicone rubber case 
3. Seamless long flexible printed circuit board technology

## PRODUCT SPECIFICATIONS

<b>LEDS</b>	108 /m	
<b>LED PITCH</b>	9.5 mm	
<b>RGB type</b>	<b>RED</b>	80 lm/m
	<b>GREEN</b>	180 lm/m
	<b>BLUE</b>	30 lm/m
<b>INPUT</b>	24VDC±1%	
<b>WATTS</b>	10W/m	
<b>WIDTH</b> <sup>1</sup>	11 mm	
<b>HEIGHT</b> <sup>1</sup>	26 mm	
<b>LENGTH</b> <sup>2</sup>	67mm ~ 5026mm	
<b>WEIGHT</b>	250g /m	
<b>BEAM ANGLE</b>	205°	
<b>TRIM POINTS</b>	Every 57 mm	
<b>Max Unit Connectable</b>	10.1 m (5026mm+5026mm)	
<b>Bending Radius</b>	60 mm horizontal	
<b>Operating Temperature</b>	-10° to 55° C	

**Power and Control** : DMX-512, DALI on / off, and dimming control options. Contact factory for more information.  
<sup>1</sup> End cap is 14w ×29 h mm. See DRAWINGS.  
<sup>2</sup> See LENGTH ORDER GUIDE.

**PRODUCT No.**

<b>Standard</b>	<b>"W" Type<sup>1</sup></b>	<b>LED COLOR</b>
<b>GLD-F</b>	<b>GLD-FW</b>	<b>RGB</b>

<sup>1</sup>Lead wires at both ends\* Type

# TSUBAKI SEAMLESS LIGHT TYPE H RGB COLOR

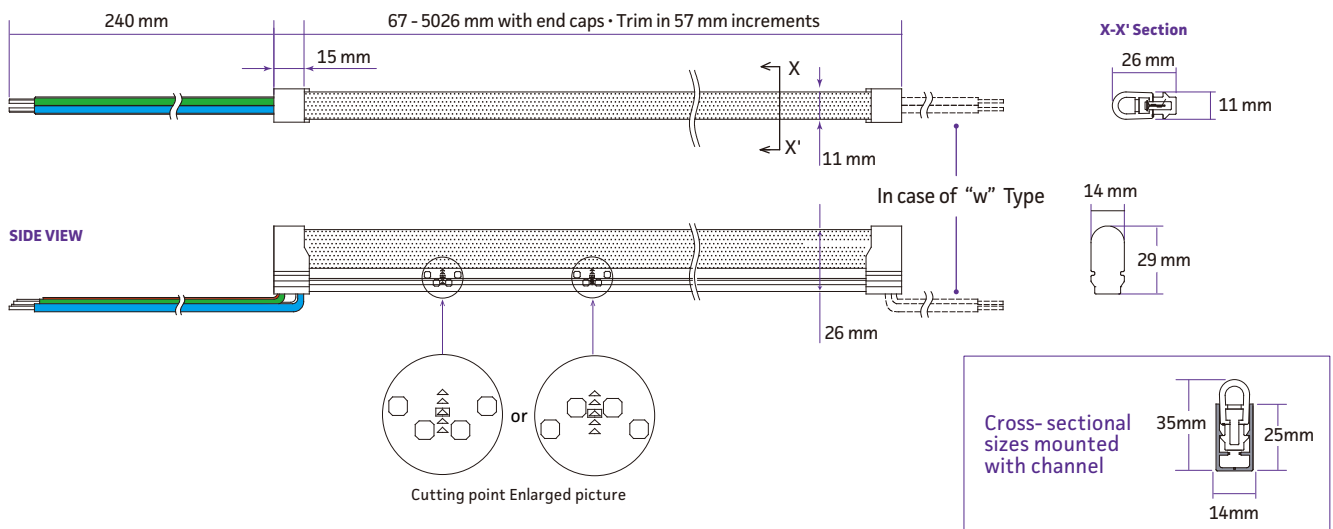
RGB LEDS

LENGTH ORDER CODE GUIDE (LENGTHS INCLUDE END CAPS.SEE DRAWINGS.)

67	694	1321	1948	2575	3202	3829	4456
124	751	1378	2005	2632	3259	3886	4513
181	808	1435	2062	2689	3316	3943	4570
238	865	1492	2119	2746	3373	4000	4627
295	922	1549	2176	2803	3430	4057	4684
352	979	1606	2233	2860	3487	4114	4741
409	1036	1663	2290	2917	3544	4171	4798
466	1093	1720	2347	2974	3601	4228	4855
523	1150	1777	2404	3031	3658	4285	4912
580	1207	1834	2461	3088	3715	4342	4969
637	1264	1891	2518	3145	3772	4399	5026

## DIMENSIONS

### TOP VIEW



## ACCESSORIES <sup>1</sup>

### ALUMINUM CHANNEL FOR STRAIGHT LINE

#### FAS00-01GD

Rigid channel for straight line installations.

Weight : 180g  
W x H x L : 14 x 25 x 1000 mm



### ALUMINUM CHANNEL FOR FLEXIBLE LINE

#### FAC20-01GD

Flexible channel for curvy line installations.

Weight : 180g  
W x H x L : 14 x 25 x 1000 mm



<sup>1</sup> Select one method for installation. These accessories are not used together. See INSTALLATION.